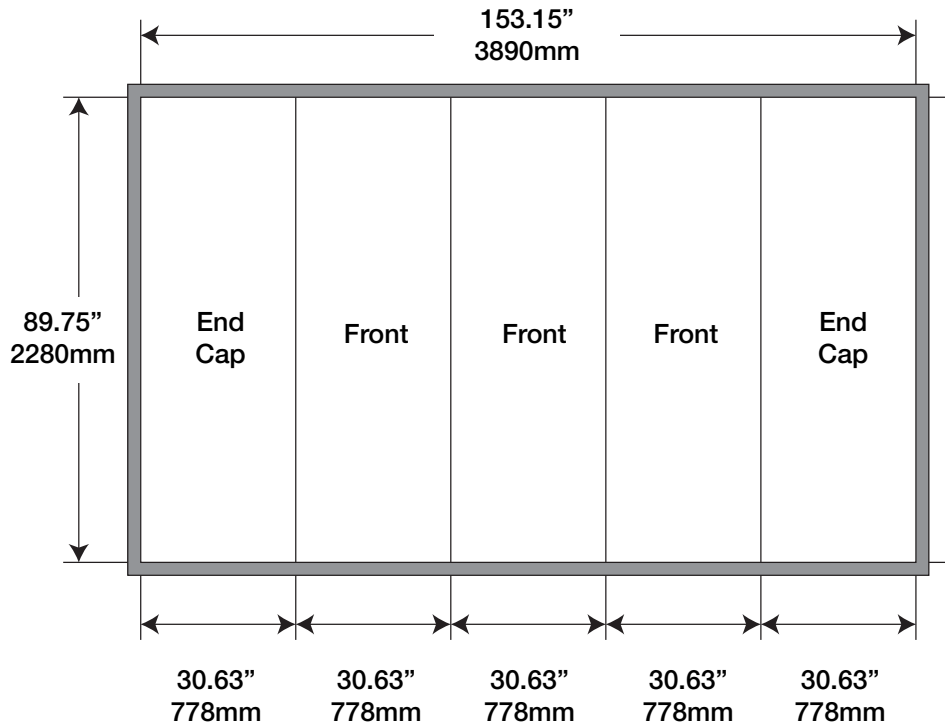


## Full Graphic Mural w/ Round Endcaps Plus Configuration



### Minimum Document Size\*

(100% with Bleed)

Width: 155.15" x Height: 91.75"  
3941mm x 2331mm

(50% with Bleed)

Width: 77.575" x Height: 45.875"  
1970.5mm x 1166mm

(25% with Bleed)

Width: 38.7875" x Height: 22.9375"  
985.25mm x 583mm

### Finished Size

Width: 153.15" x Height: 89.75"  
3890mm x 2280mm

\*Your document size should encompass the crops and bleed area.

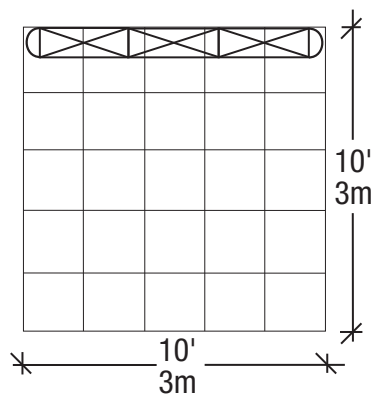


Live Area



Bleed (to be trimmed)

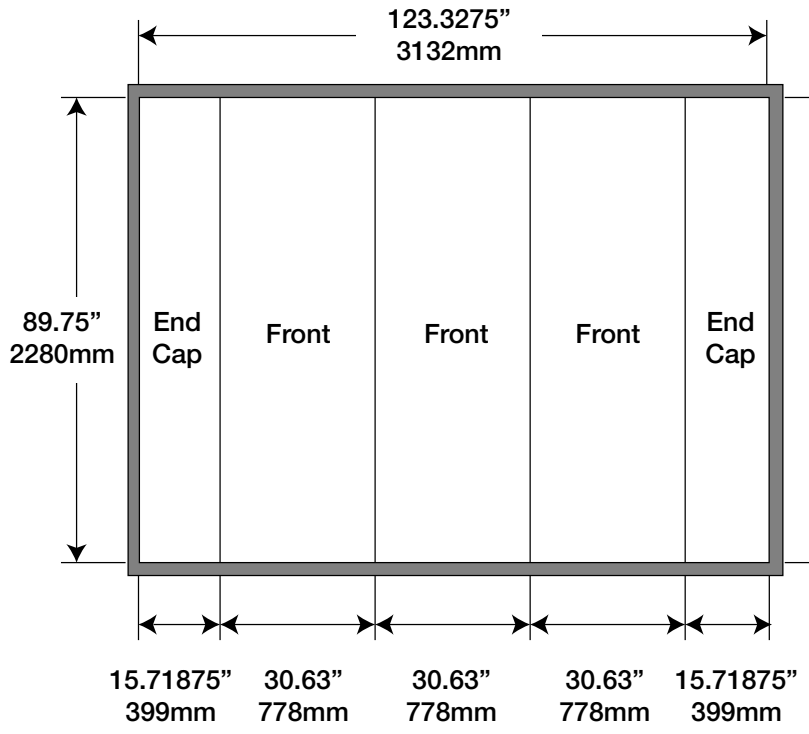
FLOOR PLAN



ELEVATION



## Full Graphic Mural w/ Flat Endcaps Plus Configuration



### Minimum Document Size\*

(100% with Bleed)  
Width: 125.3275" x Height: 91.75"  
3183mm x 2331mm

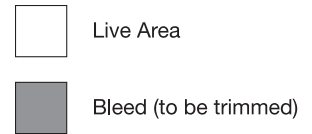
(50% with Bleed)  
Width: 62.6638" x Height: 45.875"  
1591.50mm x 1166mm

(25% with Bleed)  
Width: 31.3319" x Height: 22.9375"  
795.75mm x 583mm

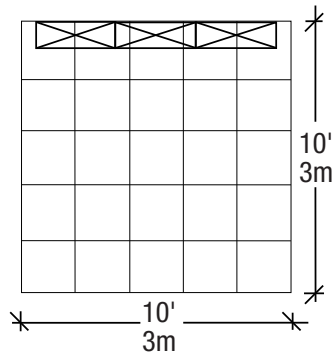
### Finished Size

Width: 123.3275" x Height: 89.75"  
3132mm x 2280mm

\*Your document size should encompass the crops and bleed area.



FLOOR PLAN



ELEVATION

